



# PVC FASTTAP® SADDLES

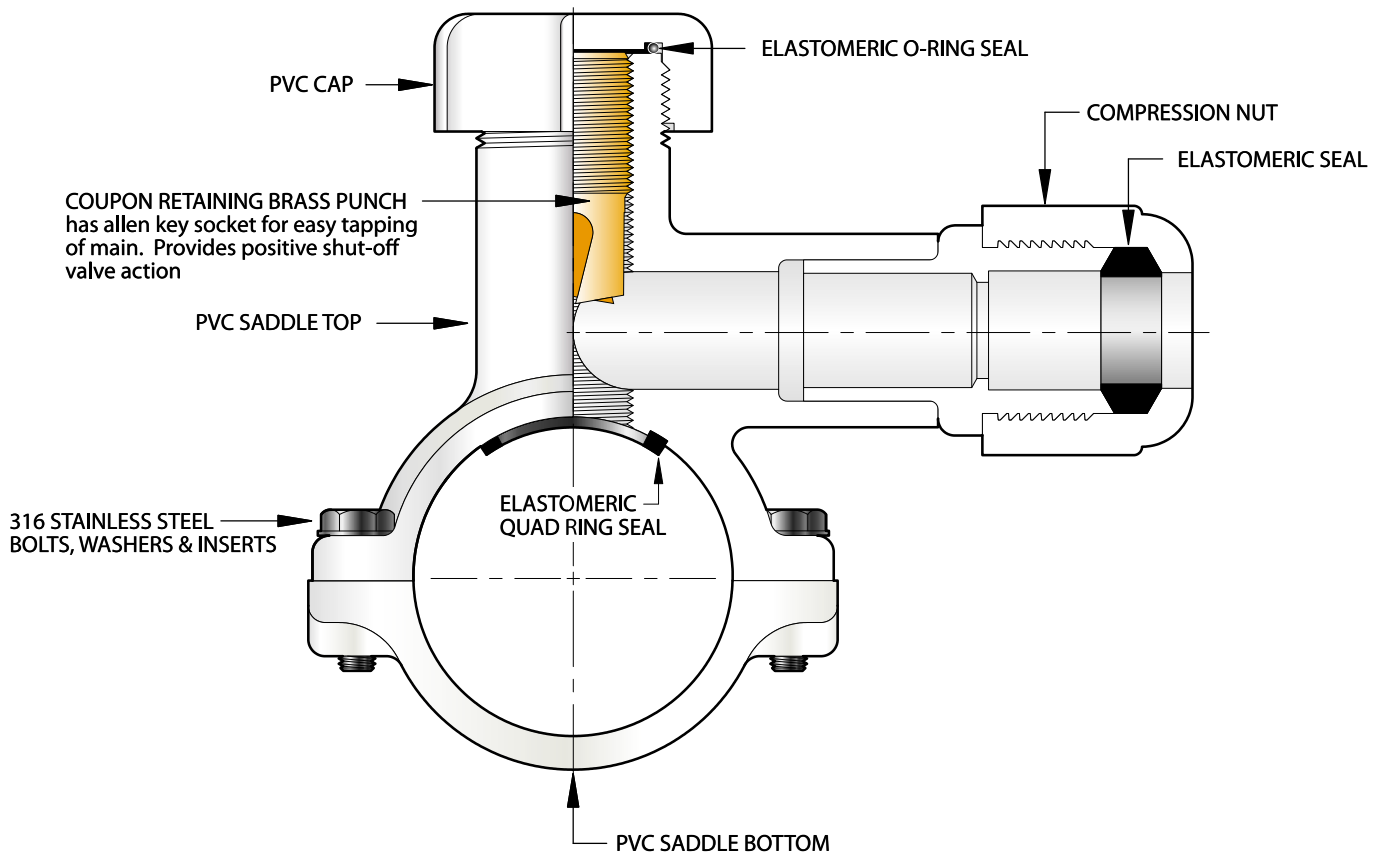
## PVC FASTTAP®

### Plastic Saddle Punch Tee For Use On C-900 PVC Mains

The FASTTAP® PVC Saddle Tee is the most reliable and easy to use method of adding service connections to a plastic main. A live main can be tapped under full pressure. Simply bolt on the FASTTAP® saddle, connect the service line and then tap the main with the built-in coupon retaining punch. The punch will serve as an emergency shut-off valve and may be left in the closed position until service is needed.

No Corporation Stops!  
No Tapping Machines!

## One Tap Does It All!



- Full wrap around saddle design eliminates stress points being applied to main.
- Tapping process uses simple combination tapping tool eliminating cumbersome tapping machines.
- Tapping cutter retains the coupon then functions as a cut-off valve eliminating corporation stops.
- Manufactured from noncorrosive materials.
  - PVC with PPI HDB Listing
  - 316 Stainless Steel Bolts
  - Brass Cutter
- Available to work with 4"-10" AWWA C-900 size mains.
- Available with 3/4" to 1" PVC, PE, PB or Copper Compression outlets, PVC solvent-weld outlets and threaded adapter outlets.
- Application may be for wet or dry taps.
- See [www.nsf.org](http://www.nsf.org) for Continental's NSF Listing to Standard 61.
- Reduces installation time by 50%.