



PVC FASTTAP® SADDLES

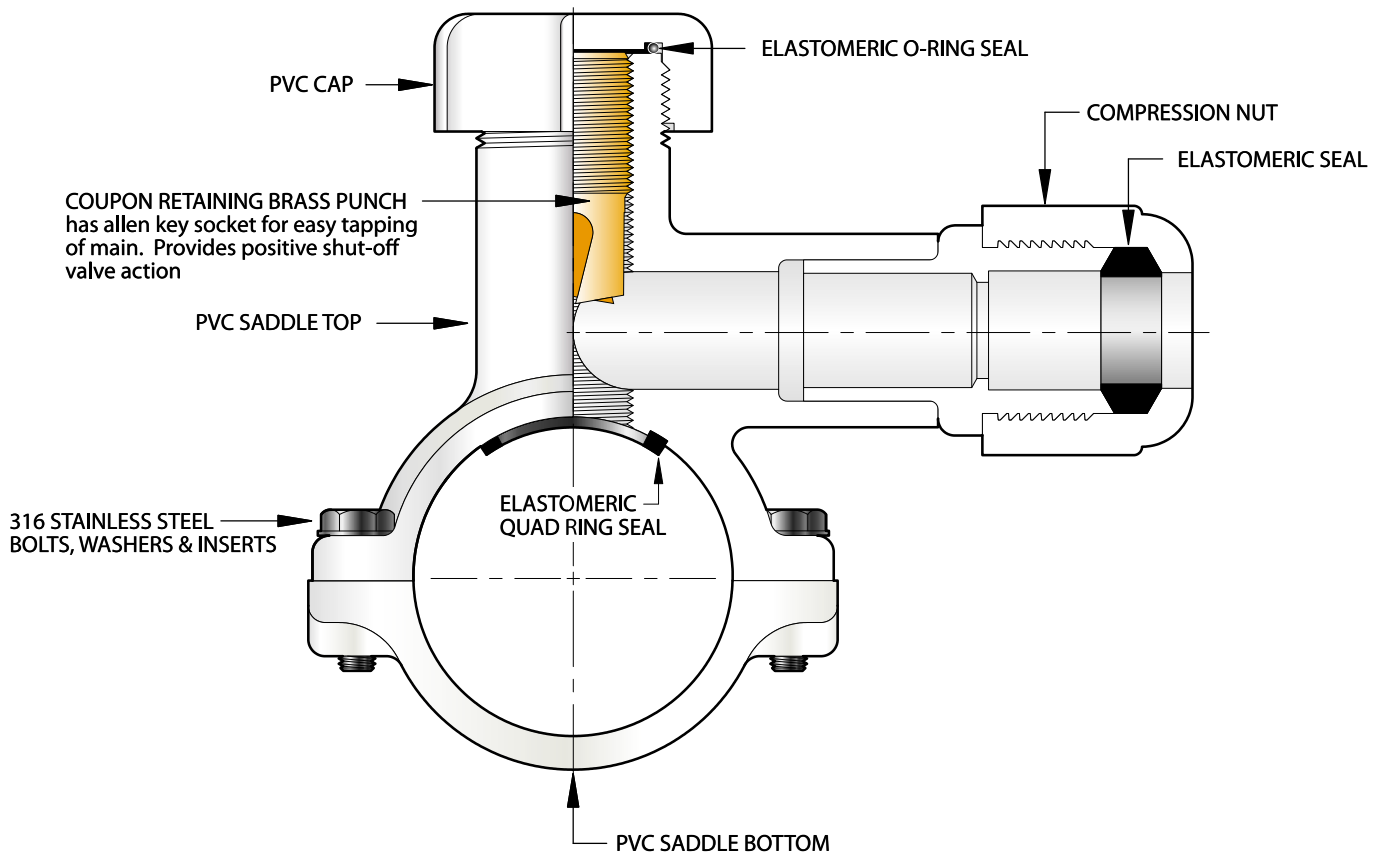
PVC FASTTAP®

Plastic Saddle Punch Tee For Use On All PVC and PE Mains

The FASTTAP® PVC Saddle Tee is the most reliable and easy to use method of adding service connections to a plastic main. A live main can be tapped under full pressure. Simply bolt on the FASTTAP® saddle, connect the service line and then tap the main with the built-in coupon retaining punch. The punch will serve as an emergency shut-off valve and may be left in the closed position until service is needed.

No Corporation Stops!
No Tapping Machines!

One Tap Does It All!



- Full wrap around saddle design eliminates stress points being applied to main.
- Tapping process uses simple combination tapping tool eliminating cumbersome tapping machines.
- Tapping cutter retains the coupon then functions as a cut-off valve eliminating corporation stops.
- Manufactured from noncorrosive materials.
 - PVC with PPI HDB Listing
 - 316 Stainless Steel Bolts
- Brass Cutter
- Available to work with 1"-12" iron pipe size mains.
- Available with 3/4" to 1" PVC, PE, PB or Copper Compression outlets, PVC solvent-weld outlets and threaded adapter outlets.
- Application may be for wet or dry taps.
- See www.nsf.org for Continental's NSF Listing to Standard 61.
- Reduces installation time by 50%.