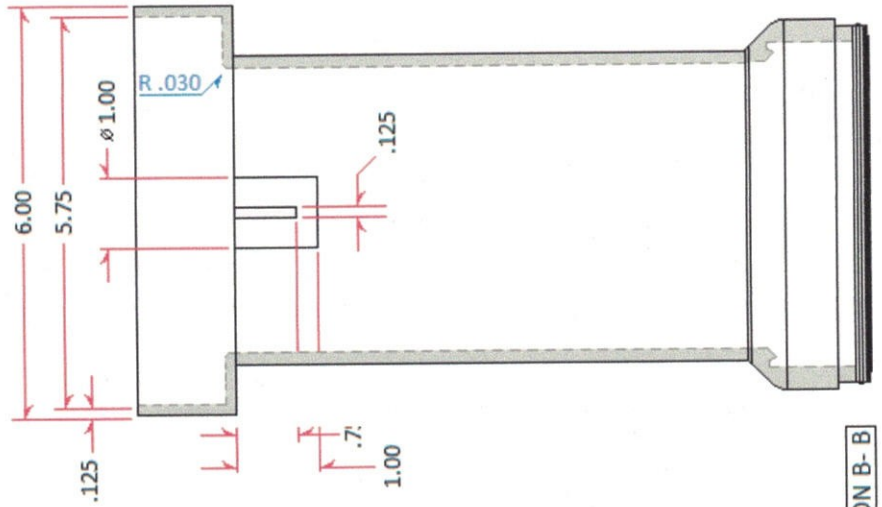
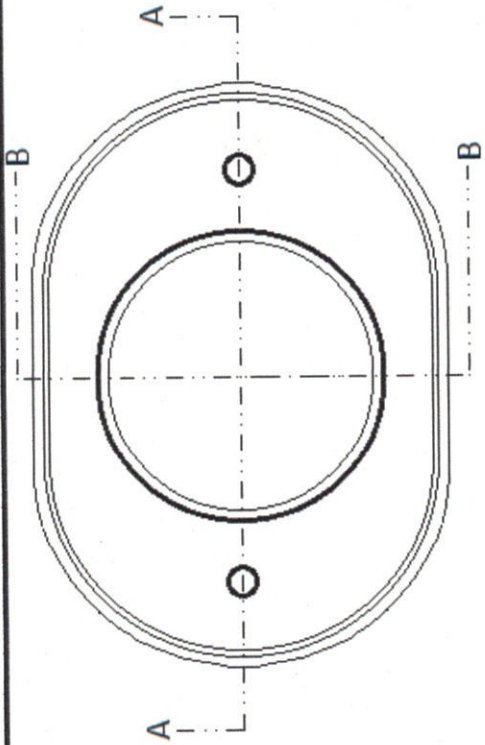
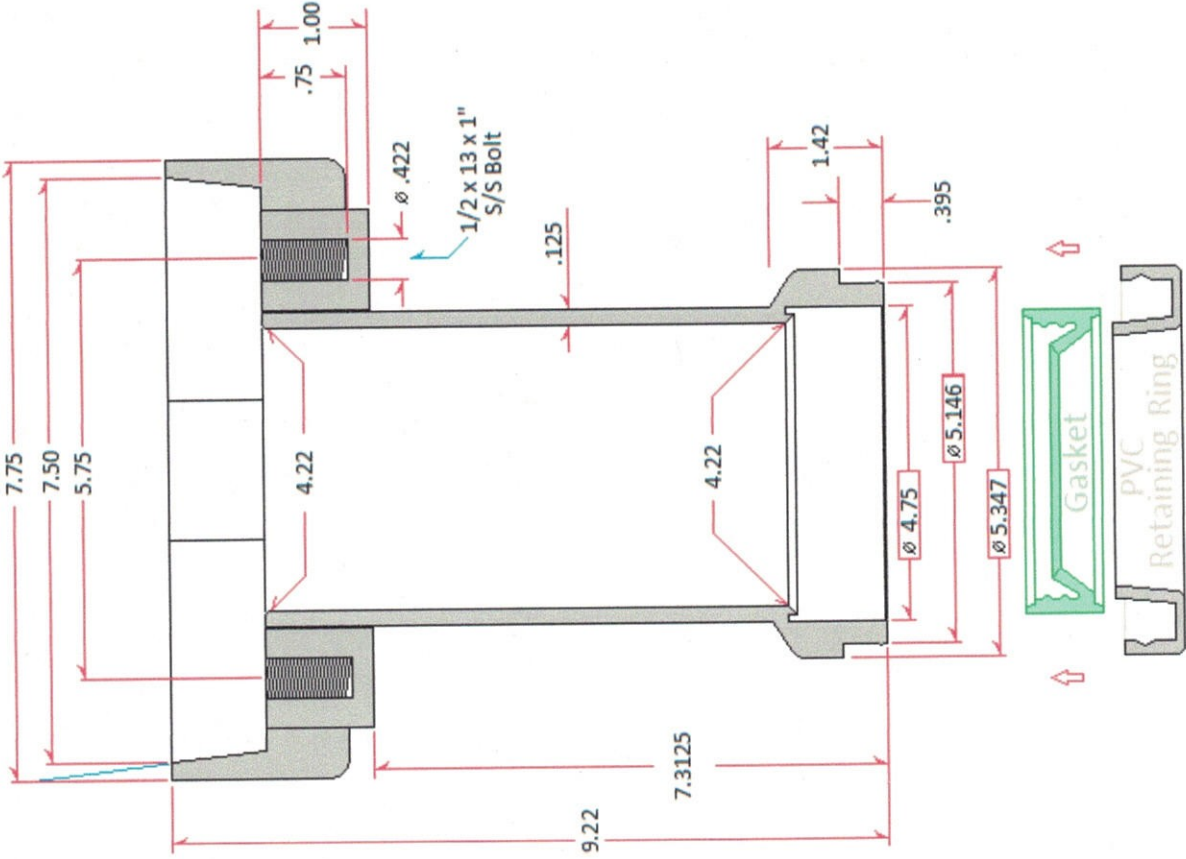


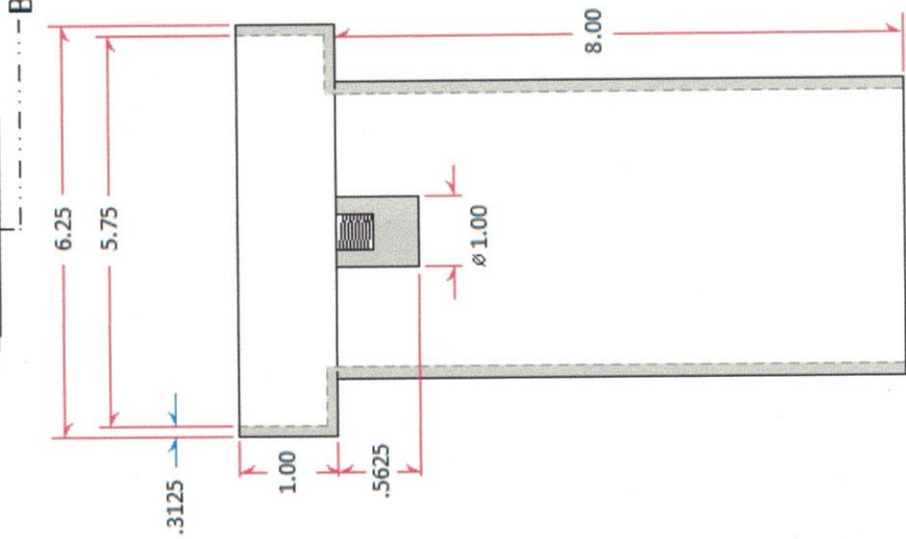
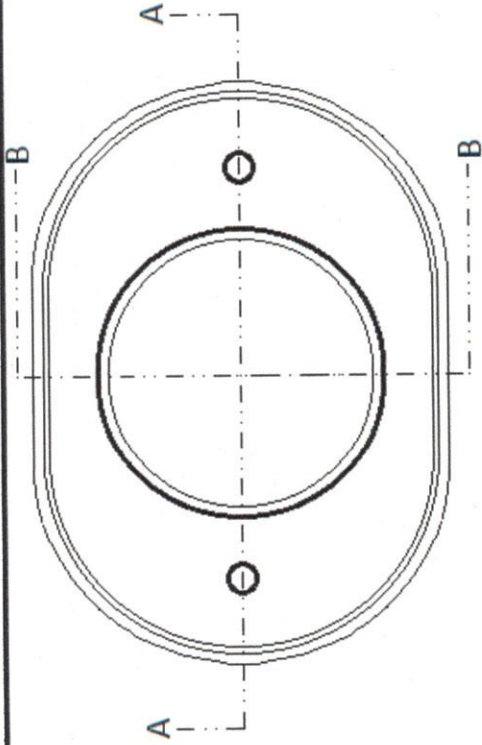
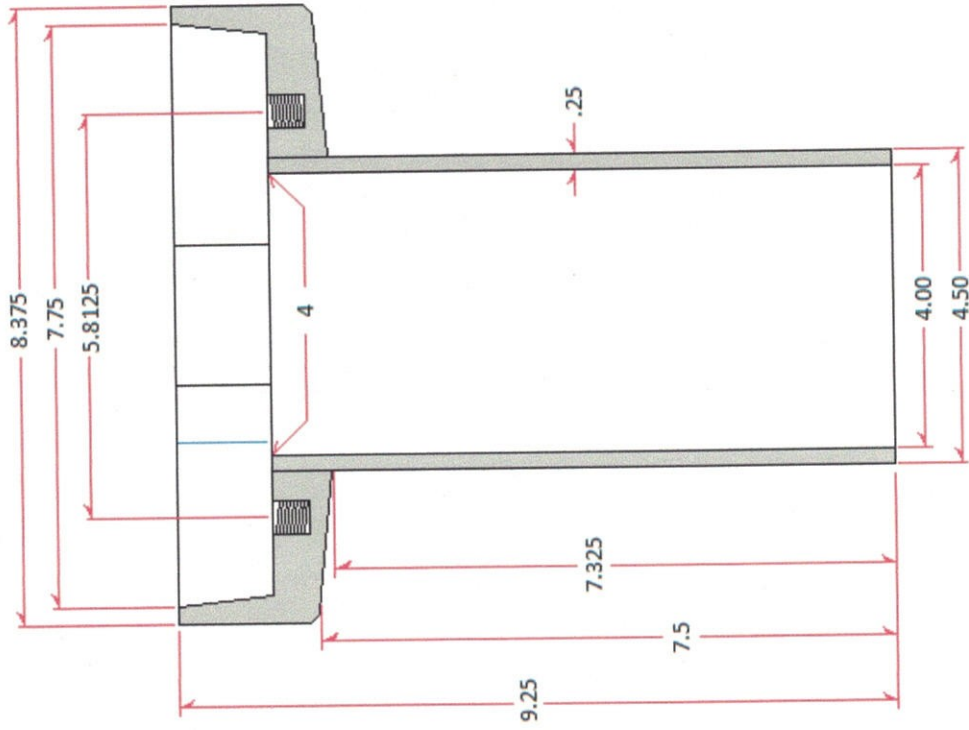
SECTION A-A



SECTION B-B

Stan Roberts & Assoc. Inc.		Dallas, Tx
<b>4" Sewer Lateral Clean Out Body</b>		
Size	Material: Polypropylene	Scale - 0.75
C	Do Not Scale Drawing	Sheet 1 of 1

SECTION A-A



SECTION B-B

Stan Roberts & Assoc. Inc.		Dallas, Tx
4" Cast Iron Lateral Body		
Size	Drawing No.	Scale
C		0.75
Do Not Scale Drawing		Sheet 1 of 1