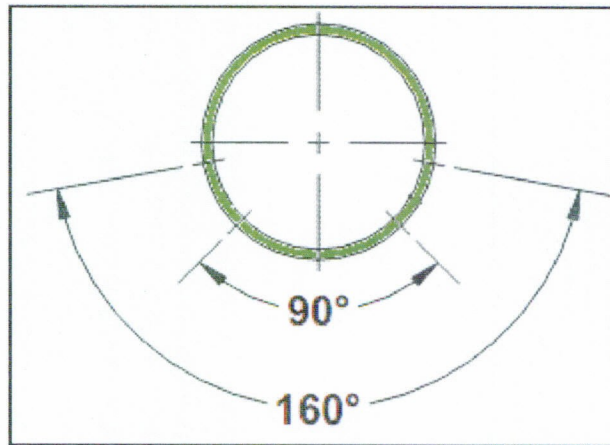




Stan Roberts & Assoc., Inc.

1220 Round Table Dr. Dallas, Texas 75247
 P: 214/637-2816 - F: 214/688-4155

ASTM D3034 Gravity Sewer Pipe Perforated To ASTM F758 Highway Underdrain Specifications



Nominal Pipe Size	Perforation Arrangement
4"	Hole Size: 3/8" Center to Center: 3" +/- 1/4" Rows of Holes: 2 rows at 90° +/- 3°
6"	Hole Size: 3/8" Center to Center: 3" +/- 1/4" Rows of Holes: 2 rows at 90°, 2 rows at 160° +/- 3°
8"	Hole Size: 3/8" Center to Center: 3" +/- 1/4" Rows of Holes: 2 rows at 90°, 2 rows at 160° +/- 3°

PVC gravity sewer pipe shall be made from a compound conforming to a cell classification of 12454 as defined by ASTM D1784 and in accordance with ASTM D3034 for sizes 4"-15". The wall thickness, when tested according to ASTM D3412 shall correspond to a dimension ratio of SDR 35 with a pipe stiffness value of 46 or SDR 26 with a pipe stiffness of 115 for heavy wall pipe. Integral bells shall incorporate locked in gaskets meeting the requirements of ASTM D3212 and F477.